

Product information sheet SOLIS 400-U

Item no. 526117

Benefits

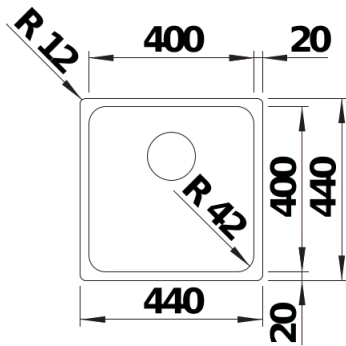


- A harmonious interplay between functional and visual elements
- High-quality features with covered C-overflow and InFino drain system – elegantly integrated and extremely easy-care
- Convenient bowl volume and base surface designed for optimum use
- Functional accessories optionally available

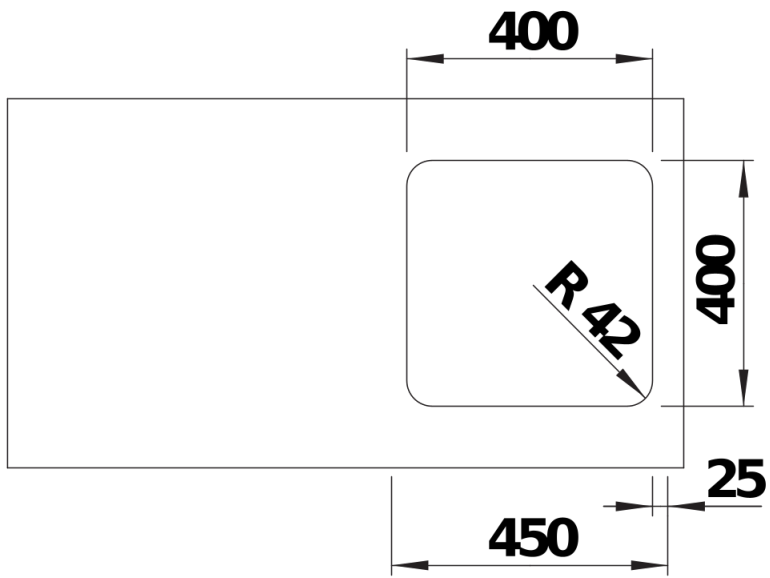
Scope of supply

- waste kit with space-saving pipe
- 3 ½" InFino basket strainer
- fixing kit

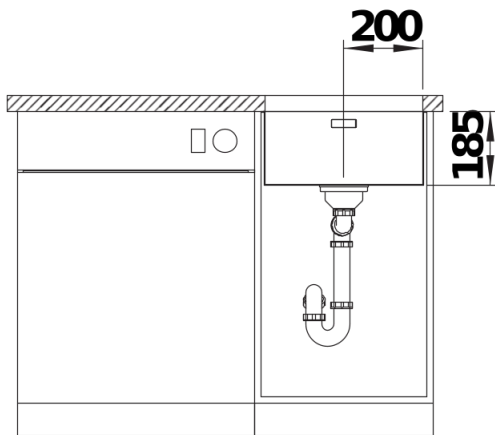
Details



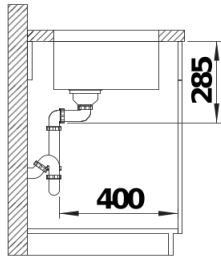
Top view



Cut-out



Front view



Side view